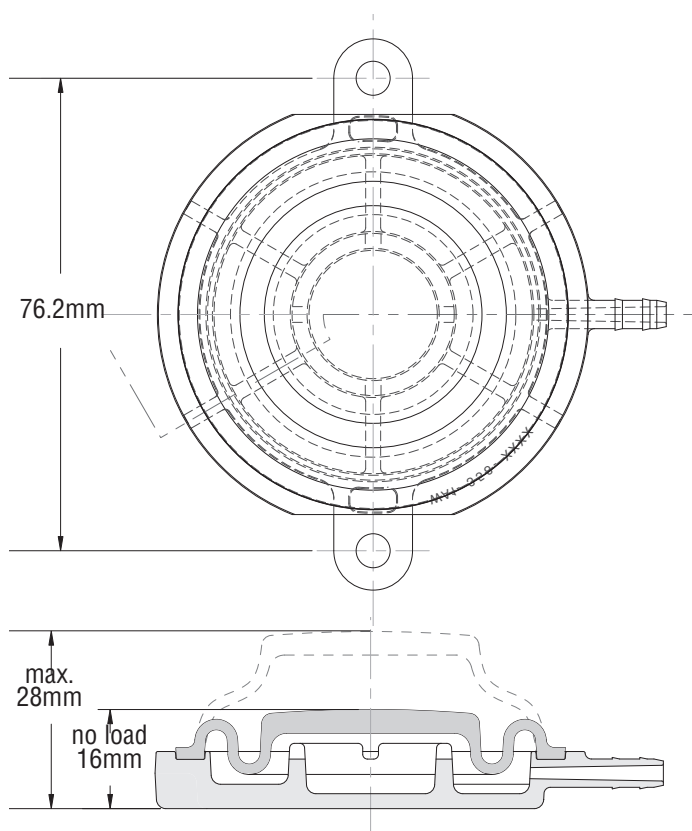


70-P-13 (WA1-358-5674)

Firestone Industrial Products is announcing the introduction of a completely new range of pneumatic actuators. The Airomatic polyactuator line consists of engineered plastic molded elements welded together in a sealed unit.

Maximum recommended pressure is 3.5 Bar. Do not use unrestricted.



LOAD CHART polyactuators	
Pressure (Bar)	Load (N)
3.5	445
2.8	356
2.1	267
1.4	178

Description

- The minimum height on this model is only 16mm so it will fit in very small spaces.
- It is capable of strokes up to 13mm and forces over .45 kN at 3.5 bar.

U.S. Patent 6,612,223

For more information, please visit:
<http://www.fsip.com/airomatic>