

MODELS TP33, TP200, TP600, HT200

Haskel's Test Pacs are rugged, portable, lightweight test rigs, designed for shop floor and on site pressure testing. Units are self contained and powered by compressed air.

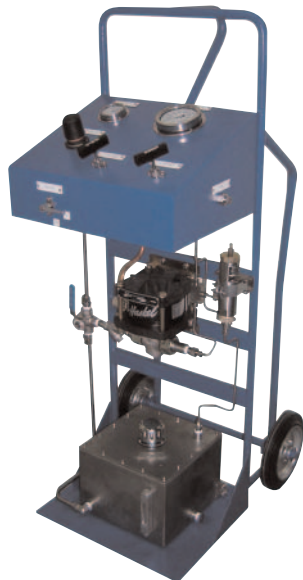


SUITABLE FOR USE IN MOST INDUSTRIES

- Oil & Gas
- Petrochemical
- Power Generation
- Automotive
- Paper
- Food Industry
- Defense
- Aerospace
- Ship Building

APPLICATIONS

- Pressure Testing Proof/Failure
- Post Preloading/Bolt Tensioning
- Valve Actuators
- Crimping
- Jacking/Lifting
- Torque Wrench



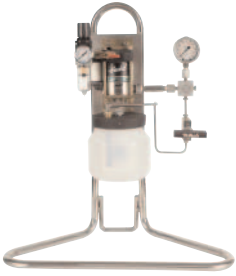
ADVANTAGES OVER CONVENTIONAL ELECTRICAL DRIVEN POWER UNITS

- Ability to stall at any predetermined pressure and hold this fixed pressure without consuming power or generating heat
- No heat, flame or risk of spark
- Infinitely variable cycling speed (flow rate)
- No limit or adverse effect to continuous stop/start applications
- Pump seals are self lubricated requiring no external air line lubricator
- Reliable, easy to maintain, compact and robust
- Stainless Steel frame standard
- Portable configuration

Portable Liquid Pressure Test Pac

FEATURES AND OPTIONS

TP 33



PUMP MODEL	M-XXX	MS-XXX
Max Pressure PSIG (BARG)	0-15000 (1034)	0-15000 (1034)
Flow GPM (LPM)	0 - 0.44 (1.6)	0 - 0.44 (1.6)
Materials of Construction	Plunger - 416 SS Body - Cap Plated Steel Seal - Urethane	Plunger - 316 SS Body - 303 SS Seal - UHMWPE
Applications	Hydrotesting - Oil Crimping/Clamping	Hydrotesting - Water or Oil Crimping/Clamping

TP 200



PUMP MODEL	AW-XXX	ASF-XXX	HSF-XXX	DSXHF-XXX
Max Pressure PSIG (BARG)	0-15000 (1034)	0-15000 (1034)	0-30000 (2068)	0-75000 (3103)
Flow GPM (LPM)	0 - 4.5 (17)	0 - 4.5 (17)	0 - .4 (1.5)	0 - .2 (0.8)
Materials of Construction	Plunger - 440C SS Body - Plated Steel Seal - Urethane	Plunger - 440C SS Body - 303 SS Seal - UHMWPE	Plunger - Stellite Body - 303 SS Seal - UHMWPE	Plunger - Stellite Body - 15-5PH SS Seal - UHMWPE
Applications	Hydrotesting - Oil Press Overload Torque Wrench Filter Press Valve Acuator Crimping/Clamping	Hydrotesting - Water or Oil Valve Actuator Fluid Transfer Press Overload Crimping/Clamping	Hydrotesting - Water or Oil Burst Testing	Hydrotesting - Water or Oil Burst Testing

TP 600



PUMP MODEL	GW-XXX	GSF-XXX
Max Pressure PSIG (BARG)	0-10000 (690)	0-10000 (690)
Flow GPM (LPM)	0 - 4.3 (16.3)	0 - 4.3 (16.3)
Materials of Construction	Plunger - 15-5 PH SS Body - Plated Steel Seal - Urethane	Plunger - 15-5 PH SS Body - 303 SS Seal - UHMWPE
Applications	Hydrotesting - Oil Fluid Transfer Torque Wrench Filter Press Valve Actuator	Hydrotesting - Water or Oil Fluid Transfer Valve Actuator

HT 200

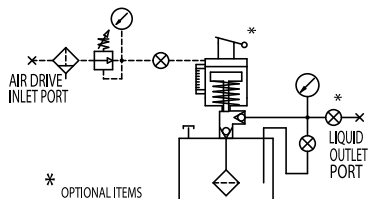


PUMP MODEL	ATV-4, DSTV-1.5	AW-XXX	ASF-XXX	HSF-XXX	DSXHF-XXX
Max Pressure PSIG (BARG)	0-400 (30)	0-15000 (1034)	0-15000 (1034)	0-30000 (2068)	0-60000 (4137)
Flow GPM (LPM)	0 - 13.8 (52)	0 - 4.5 (17)	0 - 4.5 (17)	0 - .4 (1.5)	0 - 0.2 (0.8)
Materials of Construction	Plunger - 440C SS Body - 303 SS Seal - PTFE	Plunger - 440C SS Body - Plated Steel Seal - Urethane	Plunger - Stellite Body - 303 SS Seal - UHMWPE	Plunger - Stellite Body - 303 SS Seal - UHMWPE	Plunger - Stellite Body - 15-5PHSS Seal - UHMWPE
Applications	Fluid Transfer - Water or Oil Prefill Pump	Hydrotesting - Oil Filter Press Valve Actuator Crimping/Clamping Torque Wrench Press Overload Jacking/Lifting	Hydrotesting - Water or Oil Filter Press Torque Wrench Jacking/Lifting Press Overload Valve Actuator Crimping/Clamping	Hydrotesting - Water or Oil Burst Testing	Hydrotesting - Water or Oil Burst Testing

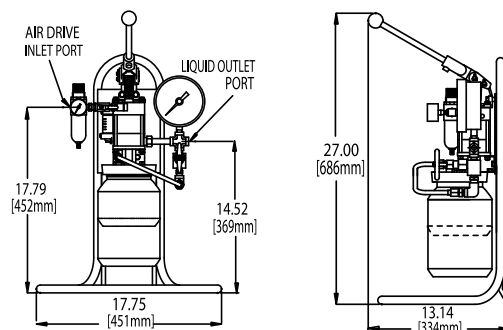
Portable Liquid Pressure Test Pac

WEIGHTS AND DIMENSIONS

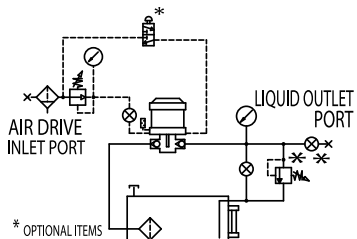
TP 33



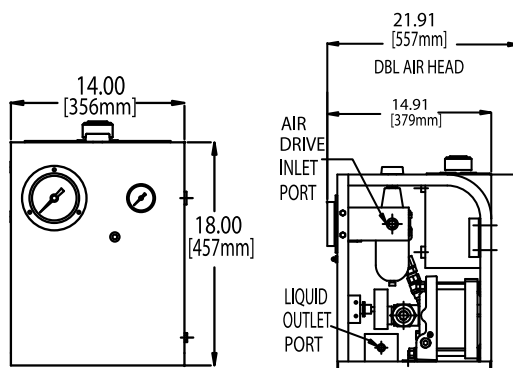
PUMP MODEL	M-XXX, MS-XXX
DIMENSIONS W X D X H Inches (mm)	17.75in X 13.13in X 27in (450mm X 334mm X 686mm)
Weight Lbs (kg)	24 lbs (11 kg)
Reservoir Volume Gallons (Litre)	Standard 1 Gallon (4 Litre) -10 2.6 Gallon (10 Litre)
Frame Materials of Construction	Frame - 304 SS Reservoir - Polyurethane -10 304SS



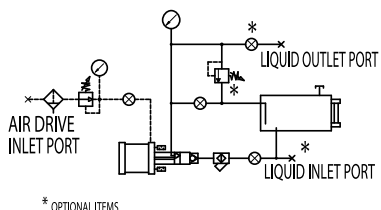
TP 200



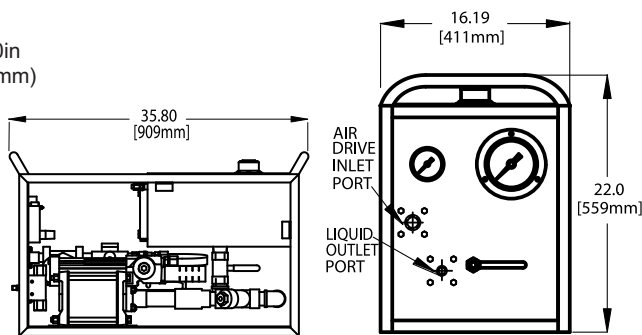
PUMP MODEL	AW-XXX, ASF-XXX
DIMENSIONS W X D X H Inches (mm)	14in X 14.91in X 18in (356mm X 379mm X 457mm) (HSF-XXX,DSXHF-XXX) 14in X 21.91in X 18in (356mm X 557mm X 457mm)
Weight Lbs (kg)	49 lbs (11 kg) (HSF-XXX,DSXHF-XXX) 66 lbs (30 kg)
Reservoir Volume	2.6 Gallon (10 Litre)
Frame Materials of Construction	Frame - 304 SS Reservoir - 304SS



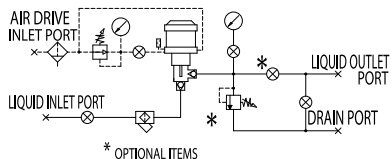
TP 600



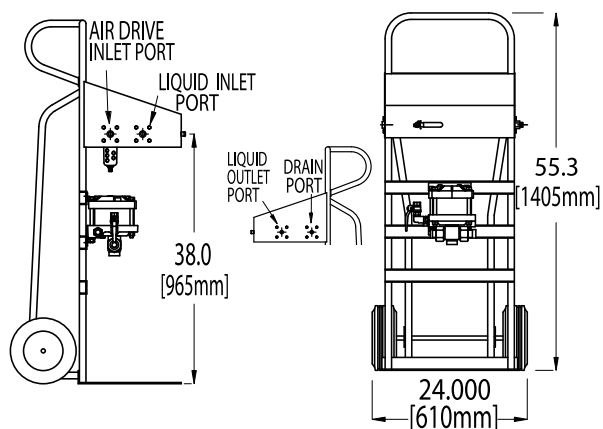
PUMP MODEL	GW-XXX, GSF-XXX
DIMENSIONS W X D X H Inches (mm)	16.19in X 35.80in X 22.00in (411mm X 909mm X 559mm)
Weight Lbs (kg)	95 lbs (43 kg)
Reservoir Volume Gallons (Litre)	8 Gallon (30 Litre)
Frame Materials of Construction	Frame - 304 SS Reservoir - 304SS



HT 200



PUMP MODEL	ALL PUMP MODELS
DIMENSIONS W X D X H Inches (mm)	24in X 26.5in X 55.3in (610mm X 673mm X 1405mm)
Weight Lbs (kg)	90 lbs (40 kg)
Reservoir Volume	Standard - No Reservoir Pressurized Inlet -20 5 Gallon (20 Litre) -40 10 Gallon (40 Litre)
Frame Materials of Construction	Frame - Painted Steel Reservoir - 304SS



Other Available Haskel Brochures



Liquid Pump Brochure

Details full line of compressed air drive liquid pumps. 1/3 hp to 10 hp. ominal output to 100,000 psi



Gas Booster Brochure

Compressed air driven and hydraulically actuated driven gas boosters and gas booster compressor systems. Rated up to 36,000 psi



Air Amplifier Brochure

Detailed information on the high flow series of compressed air driven pressure amplifiers for boosting marginal shop air pressure to machinery or for testing



High Pressure Valves and System Components Brochure

High pressure valves, air pilot switches (pressure switches) and accessories. Intensifiers up to 150,000 psi, liquid or gas.



For further information on Haskel products, visit our website at: www.haskel.com



Haskel International, Inc.
100 East Graham Place
Burbank, California 91502 • USA
Telephone: (818) 843-4000
Fax: (818)556-2549 or (818)841-4291



Haskel Asia
123 Tagore Lane #03-06
Tagore 23 Warehouse Complex
Singapore 787601
Tel: 65-6455-7559 • Fax: 65-6455-2841
www.haskel.com.sg

Haskel Australasia
P.O. Box 267
Salisbury, Qld. 4107, Australia
Tel: 61-7-3277-9118 • Fax: 61-7-3277-6129
www.haskel.com.au