

Model

6AM-22A-CB10

(8 Vanes, Reversible)

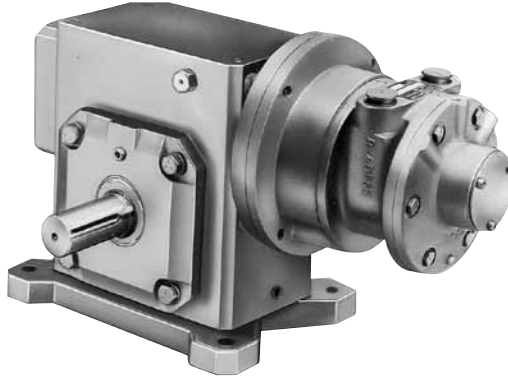
Net wt. for standard configuration
56 lbs (25,2 kg)

FEATURES

- 10:1 gear reducer
- Base mounting
- Optional mountings and shaft locations available
- Muffler AC990 (not shown)

RECOMMENDED

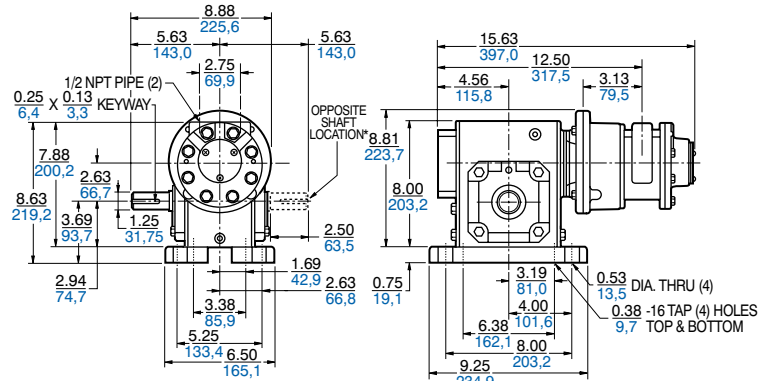
- Filter AH106F
- Regulator AH107R
- Gauge AA806
- Lubricator AH108L
- Oil AD220 – 1 quart (.94 litres)
- Repair kit K281 (Air motor only)



Max. allowable end thrust with 0 overhung load is 1640 lbs (738,0 kg) at 60 rpm to 923 lbs (415,4 kg) at 300 rpm. Max. overhung load on output shaft with 0 end thrust 1601 lbs (720,5 kg).

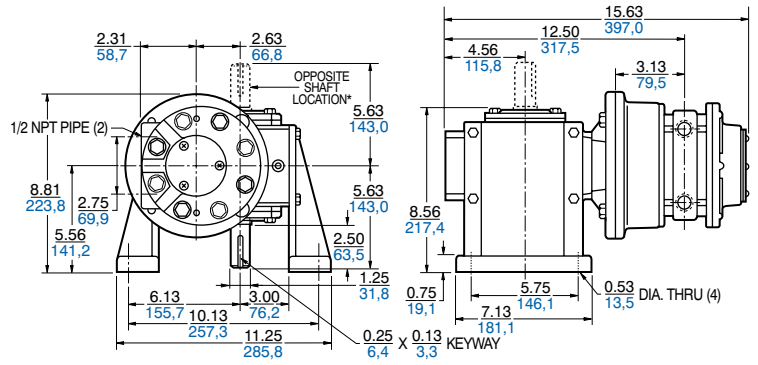
Product Dimensions (inches, mm)

“B” Mounting (photo)
6AM-22A-CB10 / 6AM-22A-CF10
(standard shaft) (opposite shaft)



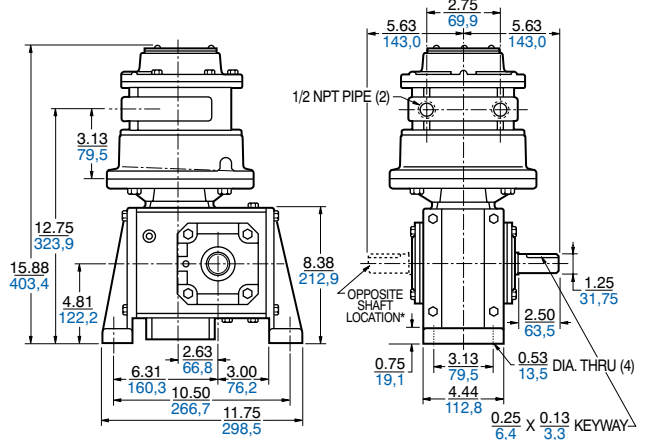
“C” Mounting

6AM-22A-CC10/6AM-22A-CG10
(standard shaft) (opposite shaft)

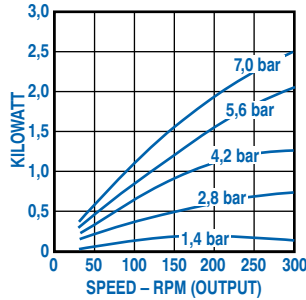
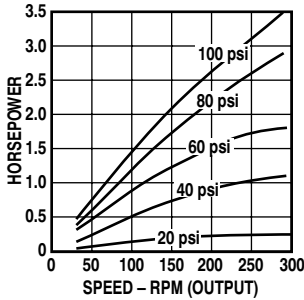


“D” Mounting

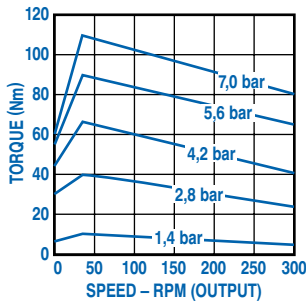
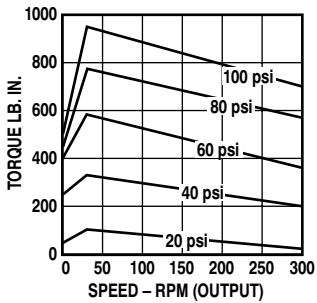
6AM-22A-CD10 / *6AM-22A-CH10
(standard shaft) (opposite shaft)



Output Power vs. Speed



Torque vs. Speed



Air Consumption vs. Speed

