

### Model

**6AM-FRV-5A** (4 Vanes, Reversible)

**6AM-FRV-23A** (8 Vanes, Reversible)

Net wt. 21 lbs (9,5 kg)

#### FEATURES

- Foot mounting
- Any plane operation
- Metal muffler AC990 adds 2" height when installed

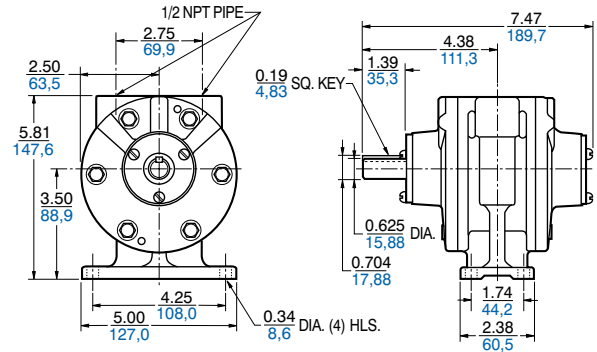
•  II 2 GD c T4

#### RECOMMENDED

- Filter AH106F
- Regulator AH107R
- Gauge AA806
- Lubricator AH108L
- Oil AD220 – 1 quart (.94 litres)
- Repair kit K208 (4 Vane)
- Repair kit K281 (8 Vane)



Product Dimensions (inches, mm)




**6AM-NRV-7A** (4 Vanes, Reversible)

Net wt. 18 lbs (8,1 kg)

#### FEATURES

- Face mounting
- Any plane operation
- Muffler AC990 adds 2" height when installed

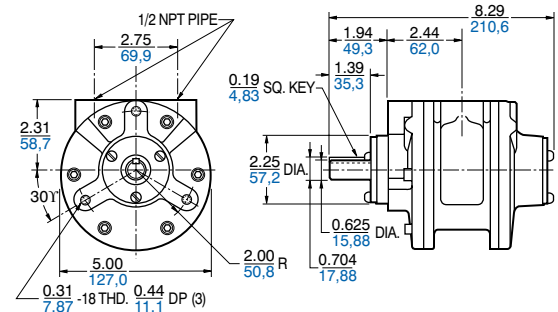
•  II 2 GD c T4

#### RECOMMENDED

- Filter AH106F
- Regulator AH107R
- Gauge AA806
- Lubricator AH108L
- Oil AD220 – 1 quart (.94 litres)
- Repair kit K208



Product Dimensions (inches, mm)



**6AM-NRV-11A** (4 Vanes, Reversible)

**6AM-NRV-22A** (8 Vanes, Reversible)

Net wt. 24 lbs (10,8 kg)

#### FEATURES

- NEMA 56C mounting
- Any plane operation
- Muffler AC990 adds 2" height when installed

•  II 2 GD c T4

#### RECOMMENDED

- Filter AH106F
- Regulator AH107R
- Gauge AA806
- Lubricator AH108L
- Oil AD220 – 1 quart (.94 litres)
- Repair kit K208 (4 Vane)
- Repair kit K281 (8 Vane)



Product Dimensions (inches, mm)

