

Model

NL22-NCC-1

(4 Vanes, CCW Rotation)

NL22-NCW-2

(4 Vanes, CW Rotation)

NL22-FCC-3


(4 Vanes, CCW Rotation)

NL22-FCW-4

(4 Vanes, CW Rotation)

Net wt. 3 lbs (1,4 kg)

FEATURES

- Hub or foot mounting
- Treated body, rotor, and end plates for corrosion resistance
- No lubrication necessary - no contaminated air in the work area
- Any plane operation
- Muffler AF350
-  II 2 GD c T4

RECOMMENDED

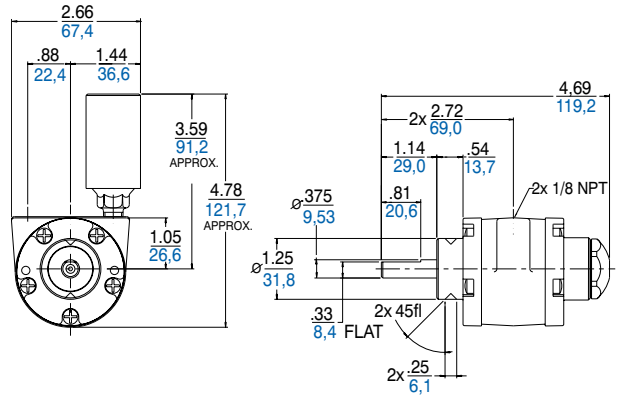
- Filter AH100F
- Regulator AH101R
- Gauge AA807
- Repair kit K285A



Hub mounting model shown with muffler attached

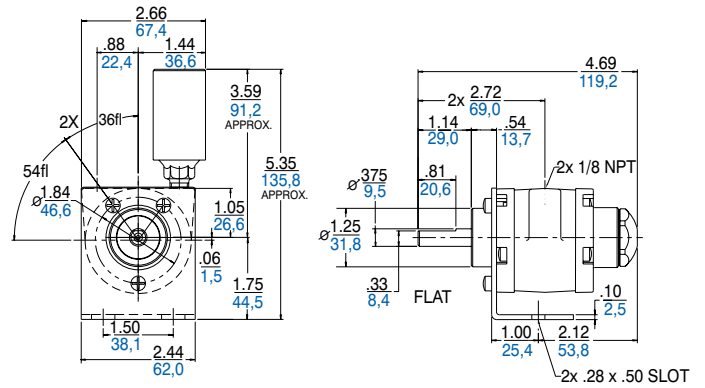
Hub mounting (NL22-NCC-1, NL22-NCW-2)

Product Dimensions (inches, mm)

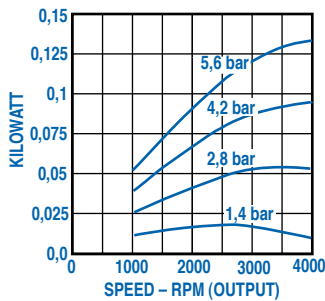
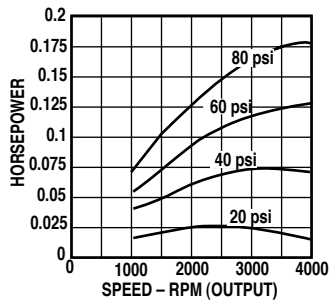


Foot mounting (NL22-FCC-3, NL22-FCW-4)

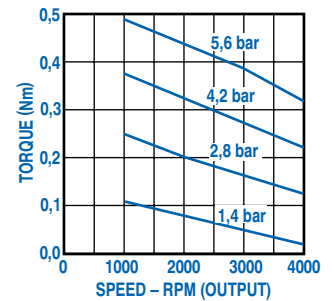
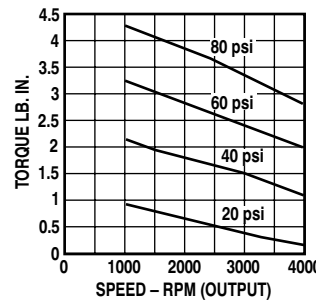
Product Dimensions (inches, mm)



Output Power vs. Speed



Torque vs. Speed



Air Consumption vs. Speed

