

Model

NL32-NCC-1

(4 Vanes, CCW Rotation)

NL32-NCW-2

(4 Vanes, CW Rotation)

Net wt. 9 lbs (4,1 kg)

NL32-NCC-5

(4 Vanes, CCW Rotation)

NL32-NCW-6

(4 Vanes, CW Rotation)

NL32-NCC-7

(4 Vanes, CCW Rotation)

NL32-NCW-8

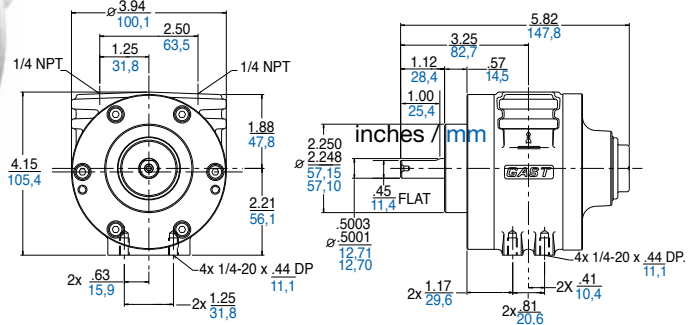
(4 Vanes, CW Rotation)

Net wt. 12 lbs (5,4 kg)



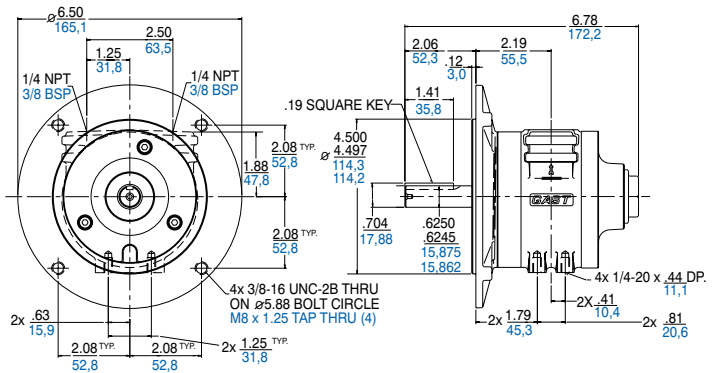
Product Dimensions (inches, mm)

Hub mounting (NL32-NCC-1, NL32-NCW-2)



NEMA 56C, U.S. - (NL32-NCC-5, NL32-NCW-6) D71 Flange, Metric - (NL32-NCC-7, NL32-NCW-8)

Product Dimensions (inches, mm)



FEATURES

- Hub or foot mounting
- Treated body, rotor, and end plates for corrosion resistance
- No lubrication necessary - no contaminated air in the work area
- Any plane operation
- Metal muffler AC980 adds 2" height when installed
- II 2 GD c T4

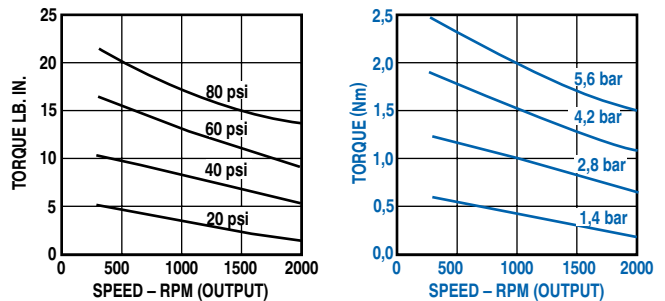
RECOMMENDED

- Filter AH103F
- Regulator AH104R
- Gauge AA806
- Repair kit K521

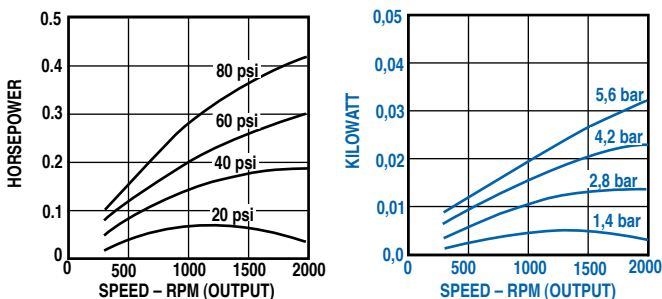
OPTIONAL

- Foot kit AL220 - each of these models can be turned into foot mounted styles with the installation of optional foot kit AL220, which will add approx. 2" height to the air motor
- Hub mounting model shown with optional foot assembly kit which can be purchased separately.
- Flange style is shown in schematic

Torque vs. Speed



Output Power vs. Speed



Air Consumption vs. Speed

