

Model

NL42-NCC-1

(4 Vanes, CCW Rotation)

NL42-NCW-2

(4 Vanes, CW Rotation)

Net wt. 18 lbs (8,2 kg)

NL42-NCC-5

(4 Vanes, CCW Rotation)

NL42-NCW-6

(4 Vanes, CW Rotation)

NL42-NCC-7

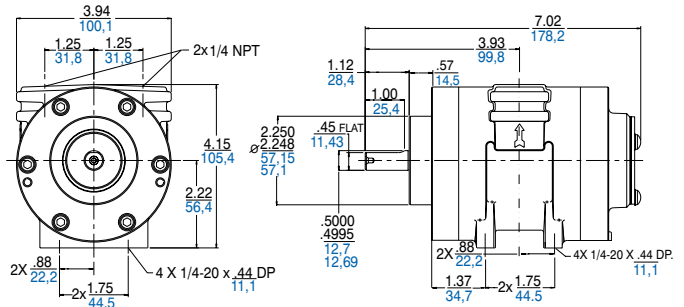
(4 Vanes, CCW Rotation)

Net wt. 21 lbs (9,5 kg)



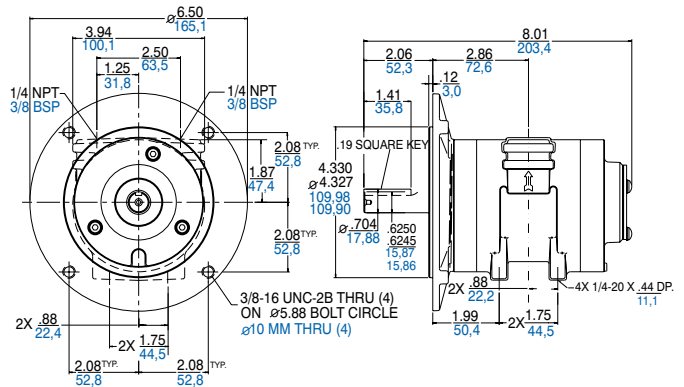
Hub mounting (NL42-NCC-1, NL42-NCW-2)

Product Dimensions (inches, mm)



NEMA 56C, U.S. - (NL42-NCC-5, NL42-NCW-6)
D71 Flange, Metric - (NL42-NCC-7)

Product Dimensions (inches, mm)



FEATURES

- Hub or foot mounting
- Treated body, rotor, and end plates for corrosion resistance
- No lubrication necessary - no contaminated air in the work area
- Any plane operation
- Metal muffler AC980 adds 2" height when installed
- II 2 GD c T4

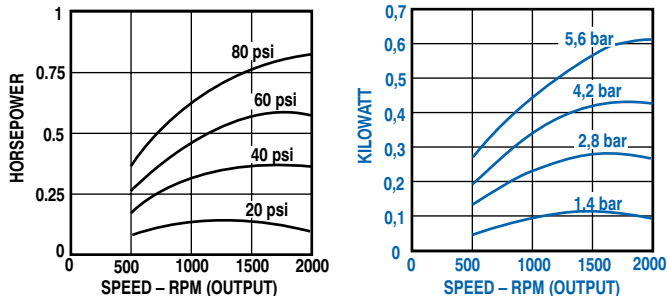
RECOMMENDED

- Filter AH103F
- Regulator AH104R
- Gauge AA806
- Repair kit K580

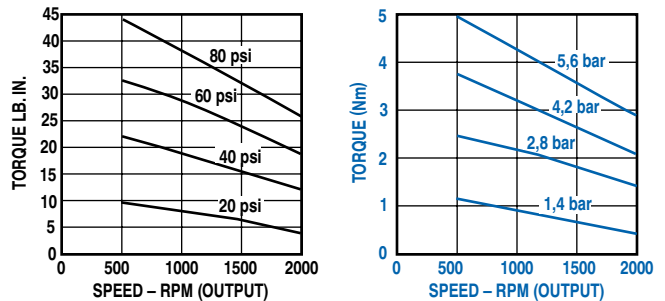
OPTIONAL

- Foot kit AL414 - each of these models can be turned into foot mounted styles with the installation of optional foot kit AL414, which will add approx. 2" height to the air motor.
- Hub mounting model shown with optional foot assembly kit which can be purchased separately.
- Flange style is shown in schematic

Output Power vs. Speed



Torque vs. Speed



Air Consumption vs. Speed

