

Model

NL52-NCC-1

(4 Vanes, CCW Rotation)

NL52-NCW-2

(4 Vanes, CW Rotation)

Net wt. 13 lbs (6 kg)

NL52-NCC-3


(4 Vanes, CCW Rotation)

NL52-NCW-4

(4 Vanes, CW Rotation)

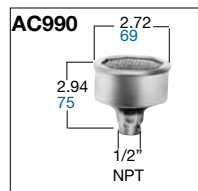
Net wt. 14.5 lbs (6,6 kg)

FEATURES

- Hub, NEMA 56C, 6AM, or foot mounting
- Treated body, rotor, and end plates for corrosion resistance
- No lubrication necessary - no contaminated air in the work area
- Any plane operation
- Metal muffler AC990 adds 2" height when installed
-  II 2 GD c T4



- Hub mounting model shown with optional foot assembly kit which can be purchased separately.



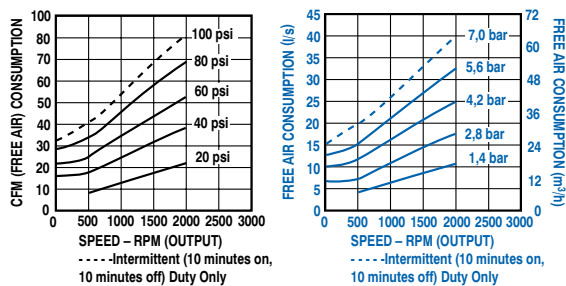
RECOMMENDED

- Filter AH106F
- Regulator AH107R
- Gauge AA806
- Repair kit K833

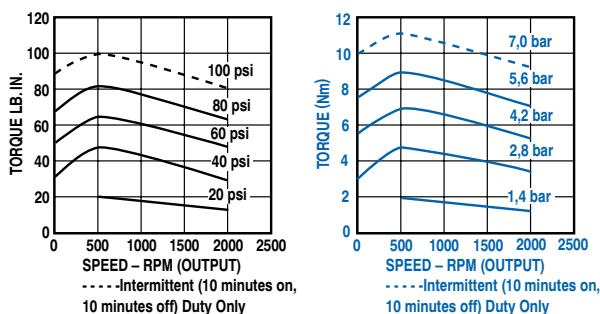
OPTIONAL

- Foot kit AL414 - each of these models can be turned into foot mounted styles with the installation of optional foot kit AL414, which will add approx. 2" height to the air motor

Air Consumption vs. Speed

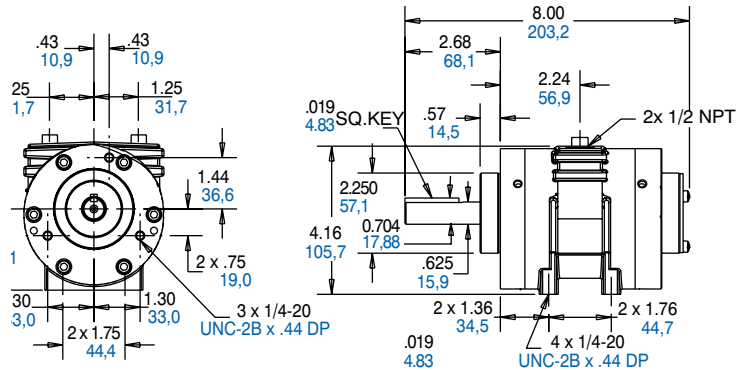


Torque vs. Speed

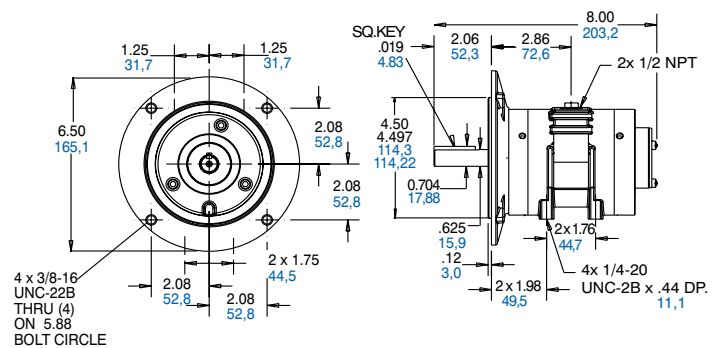


Product Dimensions (inches, mm)

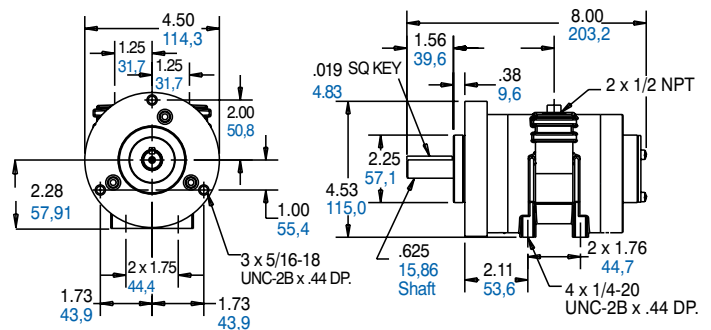
Hub mounting (NL52-NCC-1, NL52-NCW-2)



NEMA 56C, U.S. (NL52-NCC-3, NL52-NCW-4)



6AM Hub Mounting (NL52-NCC-5, NL52-NCW-6) Mounting identical to 6AM-NRV-7A for field replacement



Output Power vs. Speed

